

# AST-440 Twin Auger Compactor



Easy to use and maintenance friendly

Always moves material forward

Higher payloads on materials such as OCC, wooden pallets and crates, and other dry waste

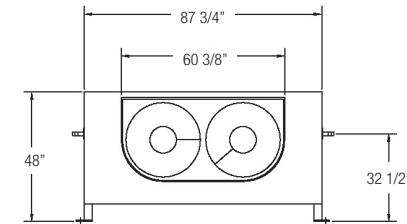
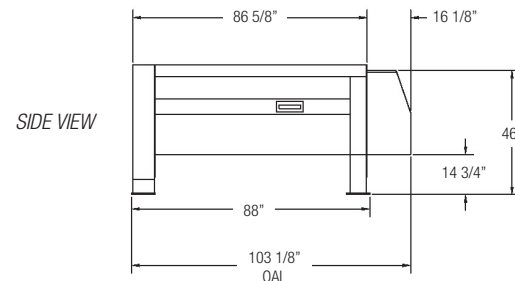
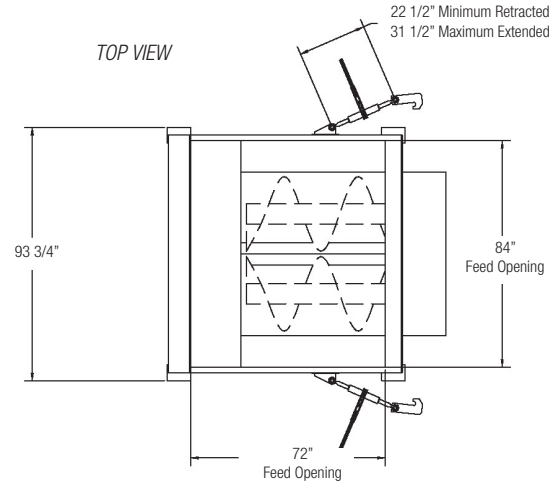
Ideal for reduction of bulky items such as furniture

Whisper quiet

Product Destruction

# AST-440 Stationary Twin Auger Compactor

The AST-440 Stationary Auger Compactor is a heavy-duty machine specifically designed for compacting large volumes of waste material. As a Stationary Compactor, the machine is best suited for dry waste such as paper, cardboard, wooden pallets, etc. This Twin 28" Auger is a high-volume compactor with a throughput of up to 6 cubic yards per minute. The machine is also able to process large bulky items without bridging in the hopper, and is commonly used for large industrial sites and production lines.



Visit [www.marathonequipment.com](http://www.marathonequipment.com) to learn more about how Marathon Solutions are making a difference around the world.

| AST-440 Specifications: |                          |
|-------------------------|--------------------------|
| Auger Diameter          | 2 x 28"                  |
| Auger Speed             | 8 rpm                    |
| Drive Motors            | 2 x 20 hp                |
| Head Weight             | 9,500 lbs.               |
| Standard Voltage        | 460 volt, 3-phase        |
|                         | other voltages available |

The advantages of using a Twin Auger Compactor

- » Reduces waste volume and transportation costs
- » Ideal for material destruction and reduction with wooden pallets, and furniture
- » Minimize waste storage space on site
- » Hopper load height of only 48" makes loading more convenient than competitive single auger compactors, which are much higher.

Please refer [MarathonEquipment.com](http://MarathonEquipment.com) for the online brochure with the most up-to-date information.



**Marathon Equipment Company**  
 P.O. Box 1798  
 Vernon, AL 35592-1798  
 800.633.8974



Pictures in this literature are illustrative only. Specifications are subject to change without notice in order to accommodate improvements to the equipment. Complies with ANSI standard Z245.2, and applicable OSHA Regulations. Products must be used with safe practice and in accordance with said operator manual and applicable regulations and standards. \*UL listed Panel Box only.

© 2015 Marathon Equipment Company. All rights reserved. Printed in USA. | SWS-M00111-110515



[www.doveresg.com](http://www.doveresg.com)

