



HV-Perf High Volume Perforator

From *Recycling Equipment Manufacturing, Inc.*

AUTOMATED INDUSTRIAL DUTY FULL BEVERAGE DESTRUCTION SYSTEM

REM-INC. proudly introduces our second generation full beverage destruction, bulk fed, equipment for short-fills, product transition, expired product, etc..



* Custom Hoppers available

With a processing capacity of up to 20,000 containers per hour, the **REM Model HV Perf Baler feed** is the full beverage destruction equipment you've been waiting for. Designed to fill the need for a very high volume full beverage destruction system with the added benefit of absolutely no handling of the destroyed product by your in-plant labor.

REM Inc. has produced the HV Perf Baler feed system to be a completely self contained, low RPM perforating system. This equipment will save you valuable man-hours by automating the tedious chore of manually handling your waste product.

Product is loaded on the in-feed conveyor hopper to be conveyed up into the perforator-crushing unit, which is completely sealed inside a gasketed housing. The perforator-crushing unit discharges the destroyed containers into the inclined auger conveyor, which is equipped with a perforated trough to allow liquid to drain from the destroyed product prior to discharge into the baler. An operator controlled rinse system is standard to dilute residual beverage fluids inside the unit and to prevent product build-up in the system.

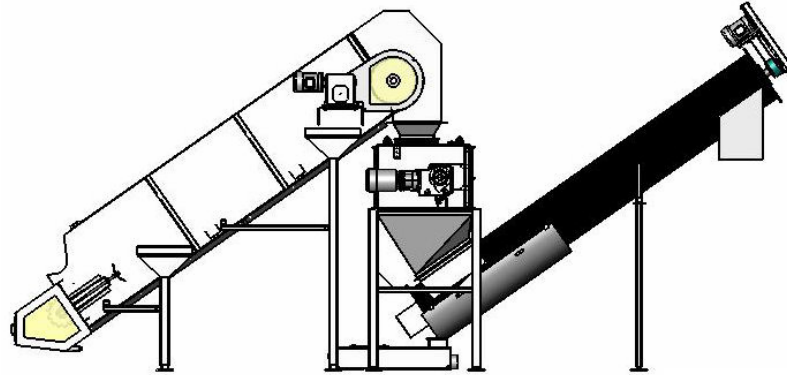
To put REM's model HV-Perf Baler Feed System to work for you call

1-800-745-4736



HV-Perf Baler Feed System

A Leader in Recycling Equipment Since 1978



Shown with optional feed conveyor

Features:

- Galvanized interior finish
- Perforator speed: 35 RPM
- Perforator horsepower: 10 HP
- Incline auger speed: 31 RPM
- Incline auger horsepower: 5 HP
- Sealed perforator housing
- Rinse system
- Inverter duty motors
- Automated Lubrication system

Options:

- Container tipper
- Automatic tipper operation
- Full safety interlocked cage
- Collection drain
- Collection drain with pump
- Full Hopper cover
- Full Conveyor cover
- UL/CUL listed control panel

SPECIFICATIONS	
Max. Discharge Height	8'
Length	30' 21/2"
Width	7' 8"
Hopper load height	TBD
Hopper Width	Variable
Hopper Capacity (up to)	2 cu. yd.

Electrical safety features:

- 240/480 volt, three phase
- Electrical components are UL listed
- NEMA-4 (hose proof) enclosure
- Motor overload/short circuit protection

LIMITED ONE YEAR WARRANTY

*All dimensions are nominal +/- 1"

*Specifications subject to change without notice, without incurring responsibility to previous units sold

Recycling Equipment Manufacturing, Inc.

PO Box 310 1-800-745-4736
 Priest River , Idaho www.remfg.com Office: (208) 448-4736
 USA 83856 E-mail: sales@remfg.com Fax: (208) 448-1786

© 2005 REM, INC.

Sales and Service
